

Open Reed Sensors for SMD Mounting

MK23-35



MK23-46



MK23-66



MK23-80



MK23-87



DESCRIPTION

MK23-Sensors are magnetically operated, open Reed proximity Switches for SMD mounting.

Lead design 1: Flat, straight leads for PCB slot mounting.

Lead design 2: Flat, bent SMD leads (Gull-wing)

Lead design 4: Round, bent SMD leads for PCB slot mounting

Magnet force and position magnet/sensor determine Pull-In and Drop-Out point. The sensors are supplied taped & reeled according to IEC 286/ part 3 suitable for auto-placement.

FEATURES

- Reed switches without moulding case for reasonable products
- Five different switch models
- Flat or round leads in three different designs
- Four operate sensitivities available
- Tape & Reel package
- No external power required for sensor operation

APPLICATIONS

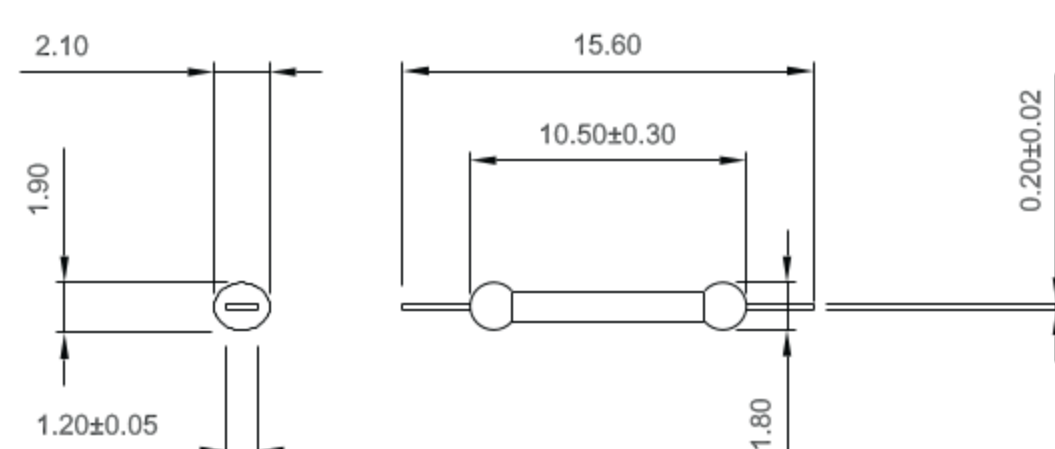
- Electronic PCB's where all components are surface mounted
- No power-requirement sensor for low power applications
- Telecommunication applications
- Automotive applications

DIMENSIONS

All dimensions in mm [inch] unspecified tolerances +/- 0.1 mm

MK23-35

Lead Design 1



Lead Design 2

